


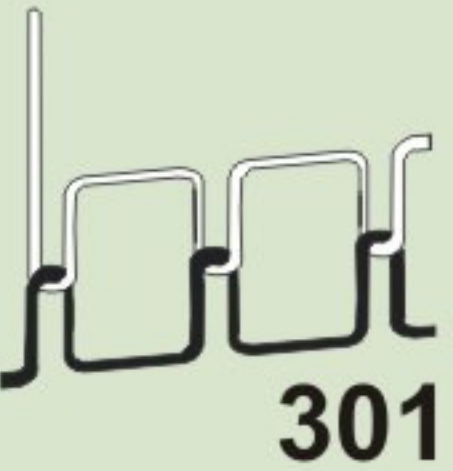
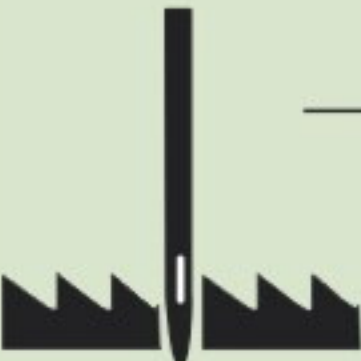


FOMAX®

KDD-2220 / KDD-2220H

2-needle sewing machine, needle feed, available in two models.:

KDD-2220: with normal hook
KDD-2220H: with large hook



| MODEL | Nº ✂ | s.p.m. | ✎ | mm | | 301 | 301 |  | MAX. mm |
|-----------|---------|--------|------------|-----|----|---|---|---|---|
| | | | | mm | mm | | | | mm |
| KDD-2220 | x2 | 3.500 | DPx5:11~14 | 5,5 | 13 |  |  |  | 5 |
| KDD-2220H | x2 | 3.000 | DPx5:18~22 | 7,5 | 15 | | | |  |

2-needle machine, high quality, with automatic lubrication mechanism by oil. Available in any needle gauge (the standard gauge is 1/4") in both models:

KDD-2220: normal capacity hook, medium/thin materials, 4mm stitch length

KDD-2220H: large hook, thick materials, 7mm stitch length